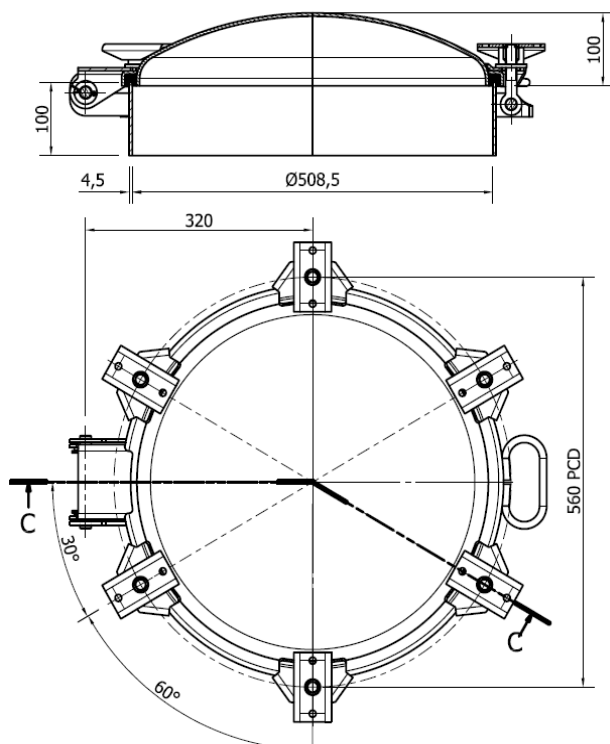
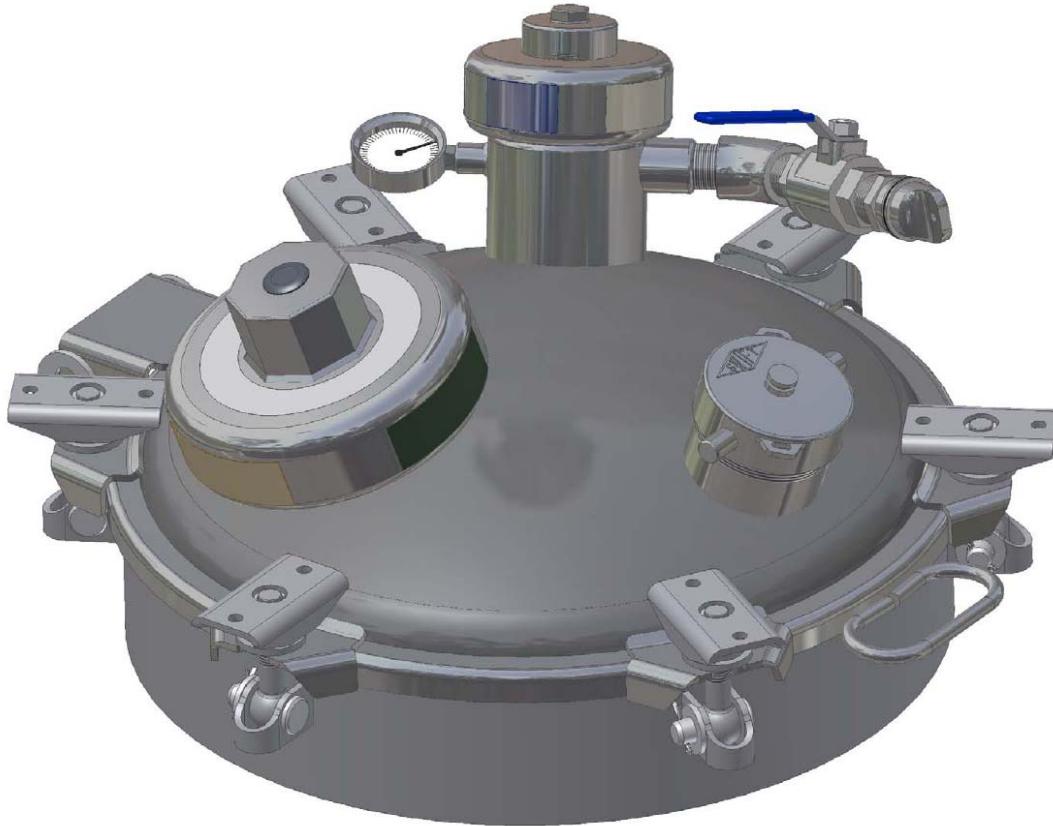




ROAD TANKER MANLID

Available Soon!



OPTIONS

- Stainless steel 304 or 316
- 4-point, 6-point or 8-point
- 3mm or 4.5mm lid thickness
- 4.5mm or 6mm thick neckring
- 100mm to 250mm deep neckring
- Compensated neckring available
- Sandblasted & pickled or electropolished finish
- Clean out cap
- Girard Pressure Relief Vent
- Girard New Generation Magnetic Vacuum Breaker with Air Accessory Package

DESIGN CODES AND APPROVALS

- ASME VIII Div. 1
- RID/ADR & IMDG
- BUREAU VERITAS